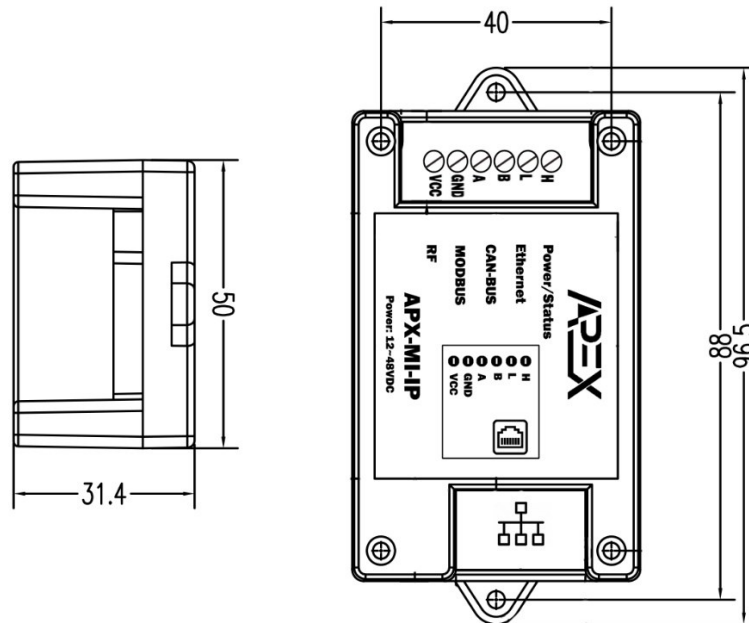


MINI IP GATWAEY



The APEX wall mounted MINI-IP gateway is smart tiny product that it used as gateway for connecting Modbus devices such as thermostat or industrial sensors and... to the home centers (Control4 or ...) also can be used as RF hub for connecting wireless RF APEX keypads (self-powered, no battery, waterproof keypads). This gateway also can be used for connecting CAN-BUS APEX devices to the ethernet port (home centers).

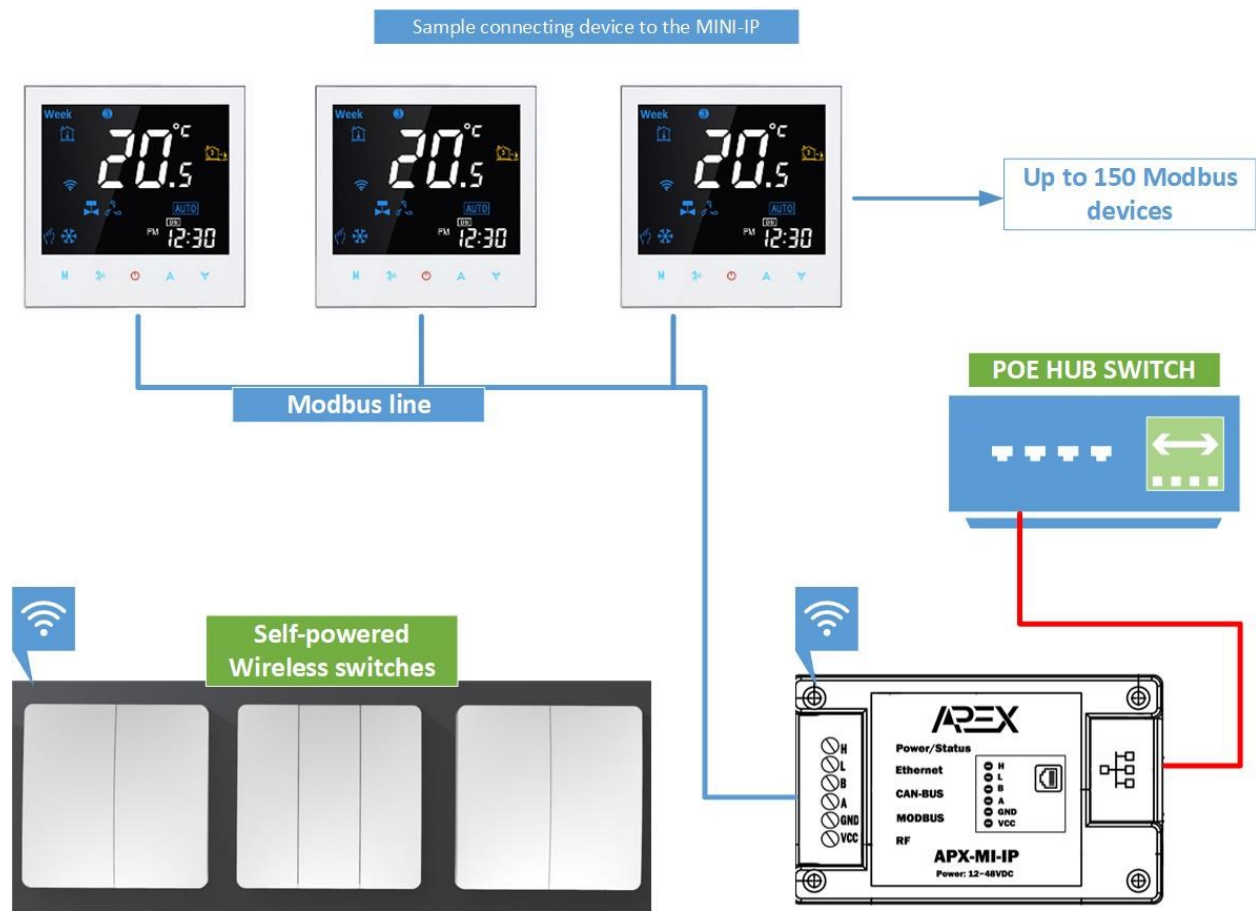
APX-MI-IP

- Multi-protocol gateway

Specifications:

Model number	APX-MI-IP
Power requirement	24~48VDC OR standard POE
Power consumption	1W
Wired connections	CAN-BUS, MODBUS
RF frequency	433MHZ
Control communication	Ethernet
Max Modbus devices support	150
Operational temperature	-10 to 60 °C
Humidity	5% to 95% non-condensing
Weight	0.15kg

WIRING DIAGRAM:

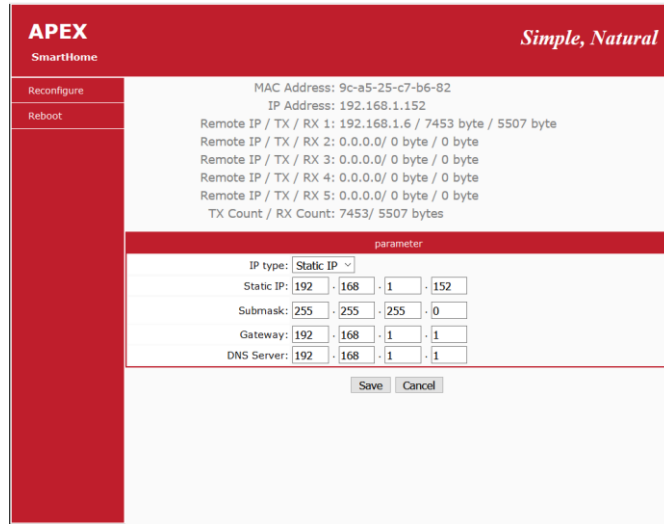


Operation and identify:

Connections:

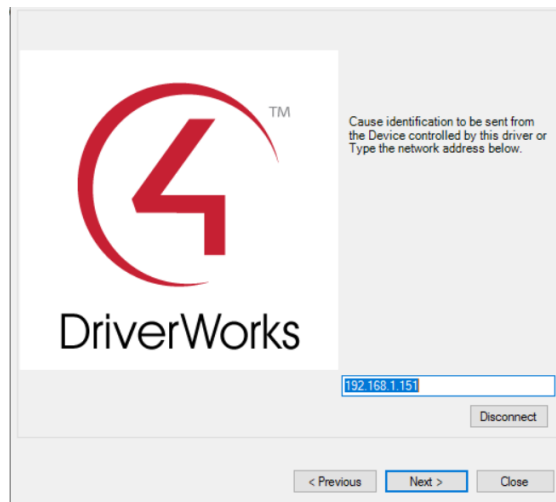
This relay has two-way control connection:

- 1- IP network: default IP: 192.168.1.150, default user and pass: admin
 - IP can be set as DHCP or Static
 - Use Reconfigure to set relay module as factory setting

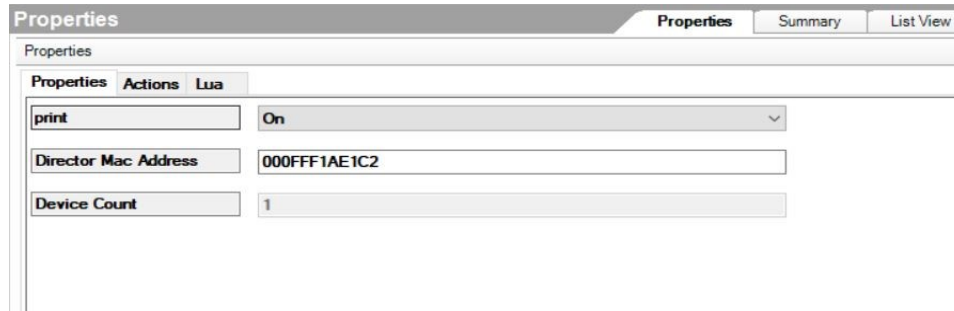


Control4 Driver setting:

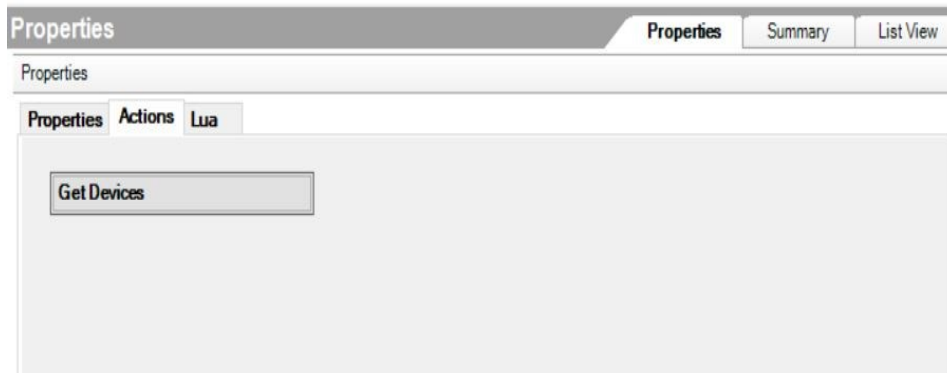
- Step1:** Connect modules to the ethernet network and set static IP for all IP modules (recommended).
- Step2:** Open the Composer-Pro and add **SmartAPEX-MINIIP-V2.c4z** for IP modules and **SmartAPEX-RF.c4z** for wireless keypads and **SmartAPEX-MB-Thermostat.c4z** for Modbus thermostats.
- Step3:** Go to the Connection tab and select network and insert correct IP and connect.



Step4: in system design and properties tab you can see module setting:
Device count shows that how many Modbus devices is connected to MINI-IP



Also, it's possible to check Modbus devices address from Action tab and click on Get Devices, then go to the Lua tab and you will see more information about connected devices.



Step5: RF keypad connections:

Open RF driver on composer pro (in must connect to right Mini-ip in connection tab), click on Join ON, then press one gang of your wireless keypad, then this gang will be connected to this driver, you can repeat this step and added more driver for all keypad's gang.

Properties		Properties	Summary	List View
Properties				
Properties	Actions	Lua		
join	Off	▼		
id	0D9D0B02:2			
channel	2 ▲▼			
status	Open			
inverse	False ▼			
print	Off ▼			