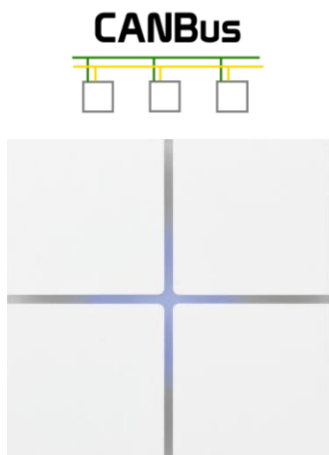




CLASSIC SERIES KEYPAD SWITCH



What is a CAN bus?

A Controller Area Network (CAN) refers to a network of independent controllers. It is a serial communications protocol that efficiently supports distributed real-time control with a high level of security. The CAN bus standard was developed by Bosch and Intel and has been in use since 1990.

PRODUCT INTRODUCTION

The APEX smart light switch is an intelligent device that can be controlled through a CAN-BUS network. The limitation of nodes (CAN-BUS products) is about 110 units per bus. This switch can be used to control two curtain motors simultaneously or four



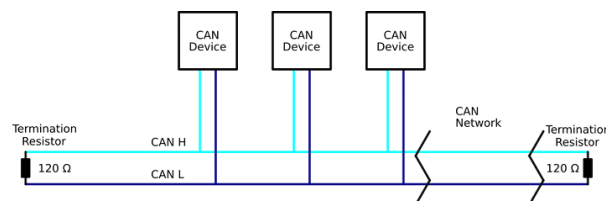
light controls. You can assign the internal relay to any touch buttons (short or long-press).

SPECIFICATIONS

Model number	APX-Classic
Power requirement	100 to 240VAC / DC 12~24V
Power consumption	<1W
Protocol	CAN-BUS
Operational temperature	-10 to +70° C
Humidity	5% to 90% non-condensing
Weight	0.2 kg
Material	Aluminum
Face plate dimension	86x86mm
Max power output rate	1000W
Total Load (With Neutral)	1800W Res, 600W LED
Digital inputs	Two inputs (ON DC+INPUT TYPE)

Requirement

1. An APEX MINI-IP or DIN-RAIL module must be available in the project.
2. All CAN-BUS devices must be connected together with one twisted pair cable as shown in the schematic below.



INSTALLATION

This product is suitable for installation within a standard 86mm or Europe 60mm pattress box. To install or remove the faceplate, ensure that you only push the corners. Do not push the sides or middle, as it may damage the product. Refer to the image below, where the green arrows indicate where to push to remove or install the faceplate.



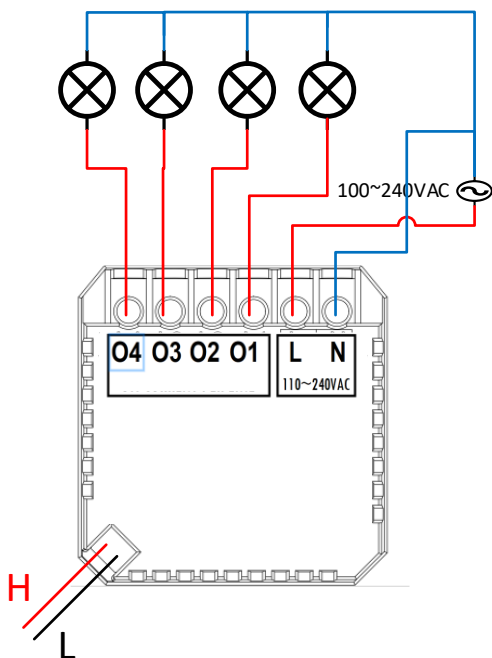
SERVICE

Your keypad switch carries 24-month warranty from date of installation.

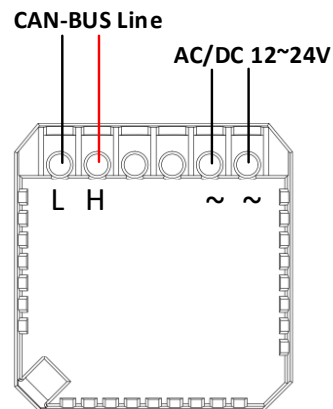


WIRING DIAGRAM

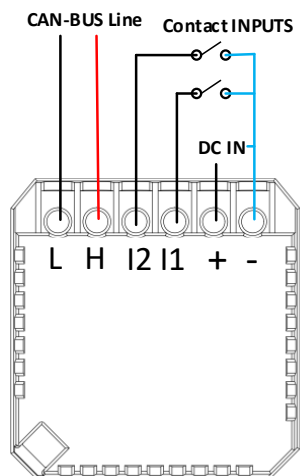
AC TYPE:



DC TYPE:



DC+INPUT TYPE:



DRY CONTACT TYPE:

PULSE/LATCH MODE, STANDALONE SWITCH

