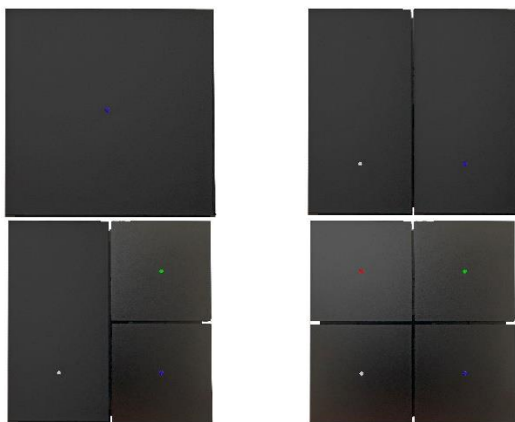




## TOUCH PRO SERIES KEYPAD SWITCH



### What is a CAN bus?

A Controller Area Network (CAN) refers to a network of independent controllers. It is a serial communications protocol that efficiently supports distributed real-time control with a high level of security. The CAN bus standard was developed by Bosch and Intel and has been in use since 1990.



### PRODUCT INTRODUCTION

The APEX smart light switch is an intelligent device that can be controlled through a CAN-BUS network. The limitation of nodes (CAN-BUS products) is about 110 units per bus. This switch can be used to control two curtain motors simultaneously or four light controls. You can assign the internal relay to any touch buttons (short or long-press). Touch pro series has four types: 1G to 4G.

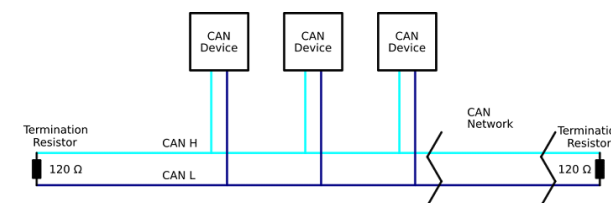
### SPECIFICATIONS

<b>Model number</b>	APX-Classic
<b>Power requirement</b>	100 to 240VAC / DC 12~24V
<b>Power consumption</b>	<1W
<b>Protocol</b>	CAN-BUS
<b>Operational temperature</b>	-10 to +70° C
<b>Humidity</b>	5% to 90% non-condensing
<b>Weight</b>	0.2 kg
<b>Material</b>	Aluminum
<b>Face plate dimension</b>	86x86mm
<b>Max power output rate</b>	1000W
<b>Total Load (With Neutral)</b>	1800W Res, 600W LED
<b>Digital inputs</b>	Two inputs (ON DC+INPUT TYPE)



### Requirement

1. An APEX MINI-IP or DIN-RAIL module must be available in the project.
2. All CAN-BUS devices must be connected together with one twisted pair cable as shown in the schematic below.



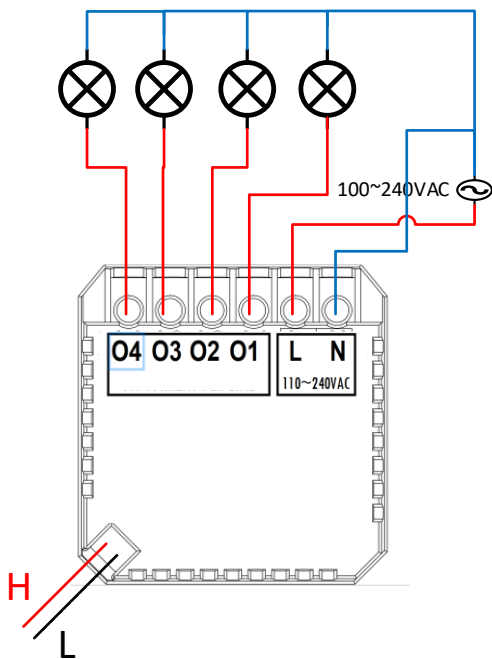
### SERVICE

Your keypad switch carries 24-month warranty from date of installation.

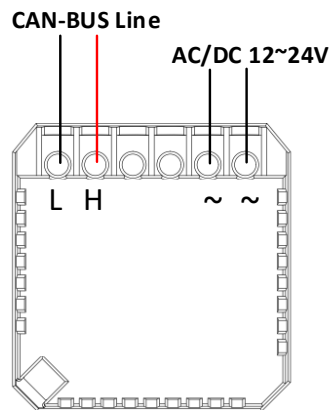


### WIRING DIAGRAM

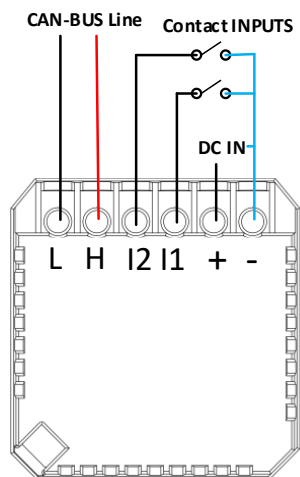
AC TYPE (1G, 2G, 3G, 4G):



### DC TYPE:



### DC+INPUT TYPE:



### DRY CONTACT TYPE:

PULSE/LATCH MODE, STANDALONE SWITCH

