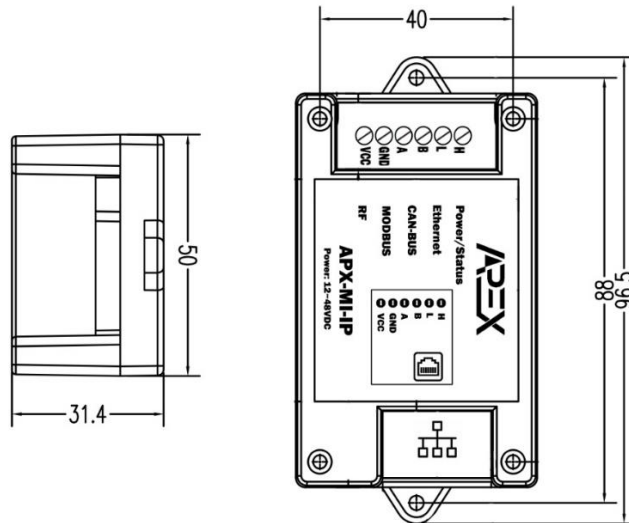


MINI IP GATWAEY



The APEX Wall Mounted MINI-IP Gateway is a compact and intelligent solution designed to seamlessly integrate Modbus and CAN-BUS devices into modern smart home systems. Ideal for connecting thermostats, industrial sensors, and other Modbus devices to home automation centers like Control4 and Fibaro, this versatile gateway also facilitates the connection of CAN-BUS APEX devices to Ethernet ports, enabling smooth communication with home centers.

Key Features:

- **Dual Functionality:** Acts as a gateway for both Modbus and CAN-BUS devices, allowing for flexible integration into existing smart home ecosystems.
- **Seamless Connectivity:** Provides Ethernet TCP/IP connectivity, enabling easy communication with home centers.
- **Modbus Compatibility:** Supports integration with HVAC systems from leading brands such as Daikin, Mitsubishi, and O-General, and is compatible with Modbus gateways like the Intesis Box.
- **Power Over Ethernet (PoE):** Can be powered using standard PoE, simplifying installation and reducing the need for additional power cables.

With the APEX MINI-IP Gateway, integrating your Modbus and CAN-BUS devices into a cohesive and efficient smart home system has never been easier.

SMART MINI IP GATEWAY



Specifications:

Model number	APX-MI
Power requirement	STANDARD 48V POE
Power consumption	3W
Wired connections	CAN-BUS, MODBUS
Control communication	Ethernet
Max Modbus devices support	32
Operational temperature	-10 to 60°C
Humidity	5% to 95% non-condensing
Weight	0.15kg