



## SMART KEYPAD SWITCH (1/2/3/4)

(Neutral, Non-Neutral)



### PRODUCT INTRODUCTION

The APEX Smart Keypad Switch is an advanced device designed for remote control via the Z-Wave network (800 LR Series). This product is compatible with any standard Z-Wave gateway. It features four touch-sensitive buttons, each supporting two actions (long press and short press). The RGB backlight status color and icons for each button can be customized by the dealer without any special tools. Additionally, the icons are swappable, allowing the installer to change them without needing any tools.



### SPECIFICATIONS

<b>Model Number</b>	<b>APX-Crystal</b>
<b>Power Requirement</b>	100 to 240VAC
<b>Power Consumption</b>	<1W
<b>Frequency</b>	868.4MHz EU (optional)
<b>Z-Wave Series</b>	800 LR
<b>Operational Temperature</b>	-10 to +70°C
<b>Humidity</b>	5% to 90% non-condensing
<b>Weight</b>	0.2 kg
<b>Material</b>	Glass
<b>Standard Size</b>	86x86mm EU size
<b>Total Load (Non-Neutral)</b>	1200W Res, 400W LED
<b>Total Load (With Neutral)</b>	1800W Res, 600W LED

### ADD TO Z-WAVE NETWORK

1. Connect the device to a power source.
2. Ensure the LED status lights are steady.
3. Touch and hold the first button for 4 seconds until the blue LED indicators start blinking. Ensure the gateway is in identification mode. The blinking color will change to green, indicating the device is ready to join the network.
4. Once joining is complete, all LED lights will be steady.

### REMOVE FROM Z-WAVE NETWORK

1. Ensure the device is powered.
2. Set the Z-Wave gateway to exclusion mode (refer to the gateway user manual).
3. Touch and hold the first button for 12 seconds until the red LED lights start blinking. The device

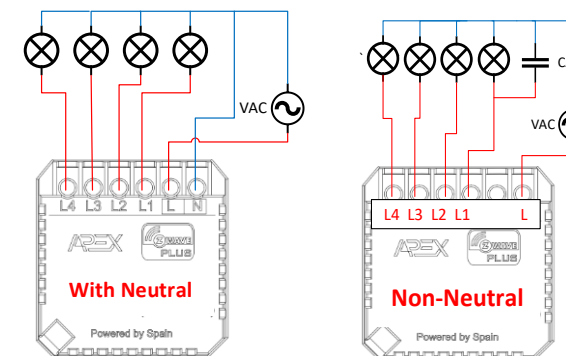


will be removed from the network if the gateway is in exclusion mode.

### RESET TO FACTORY SETTING (Network reset)

1. Touch and hold the first button for 12 seconds until the red LED lights start blinking, then release the button.
2. Press and hold the first button again for another 12 seconds. The light switch will restart and reset to factory settings.

### WIRING DIAGRAM



### SERVICE

Your keypad switch comes with a 24-month warranty from the date of installation.

### PARAMETERS

